


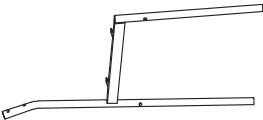
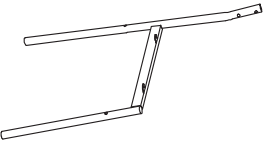
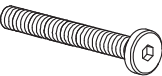
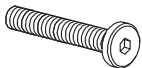
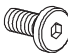

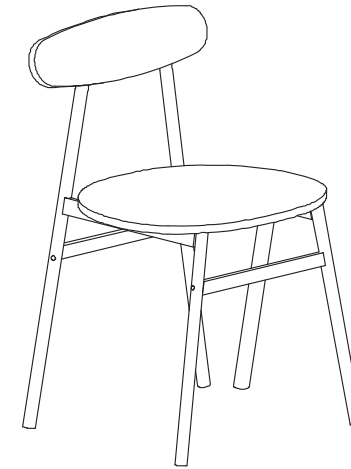


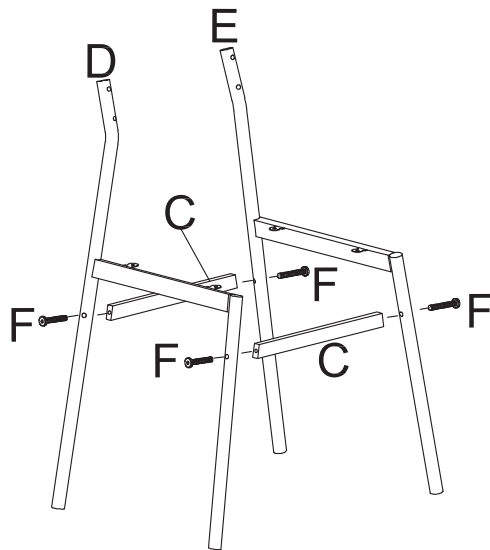
A		4PCS	B		4PCS
C		8PCS	D		4PCS
E		4PCS	F		16PCS
G		16PCS	H		16PCS
I		1PC			

ASSEMBLY INSTRUCTION

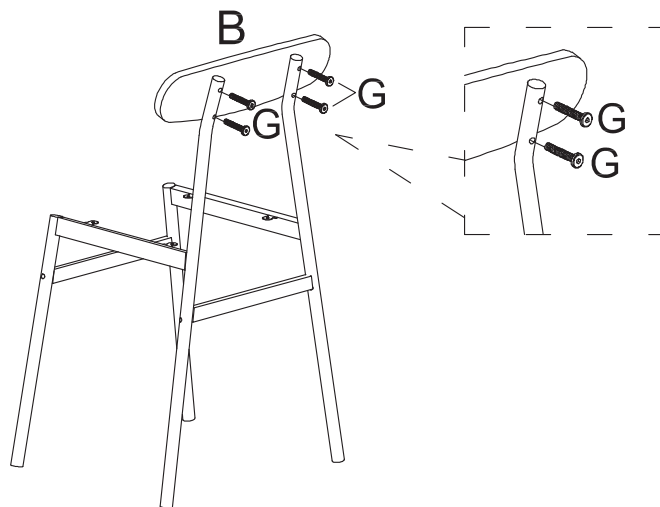
*** DO NOT TIGHTEN SCREWS UNTIL COMPLETELY ASSEMBLED***



Step 3-Use screws (Part J) to connect chair feet(Part D/E) and cross-bar(Part F) as a metal chair frame



Step 4-Use screws (Part K) to connect Backrest (Part G) to the chair metal frame



Step 5-Use screws (Part L) to connect the chair metal frame to the chair seat (Part H)

